

C21/0647/17/DT

Cais i adeiladau Sied a Swyddfa at flaen ty annedd

**Application for the erection of an office and shed to
front of dwelling.**

**1 Tai Trallwyn, Cilgwyn, Caernarfon, Gwynedd,
LL54 7SB**

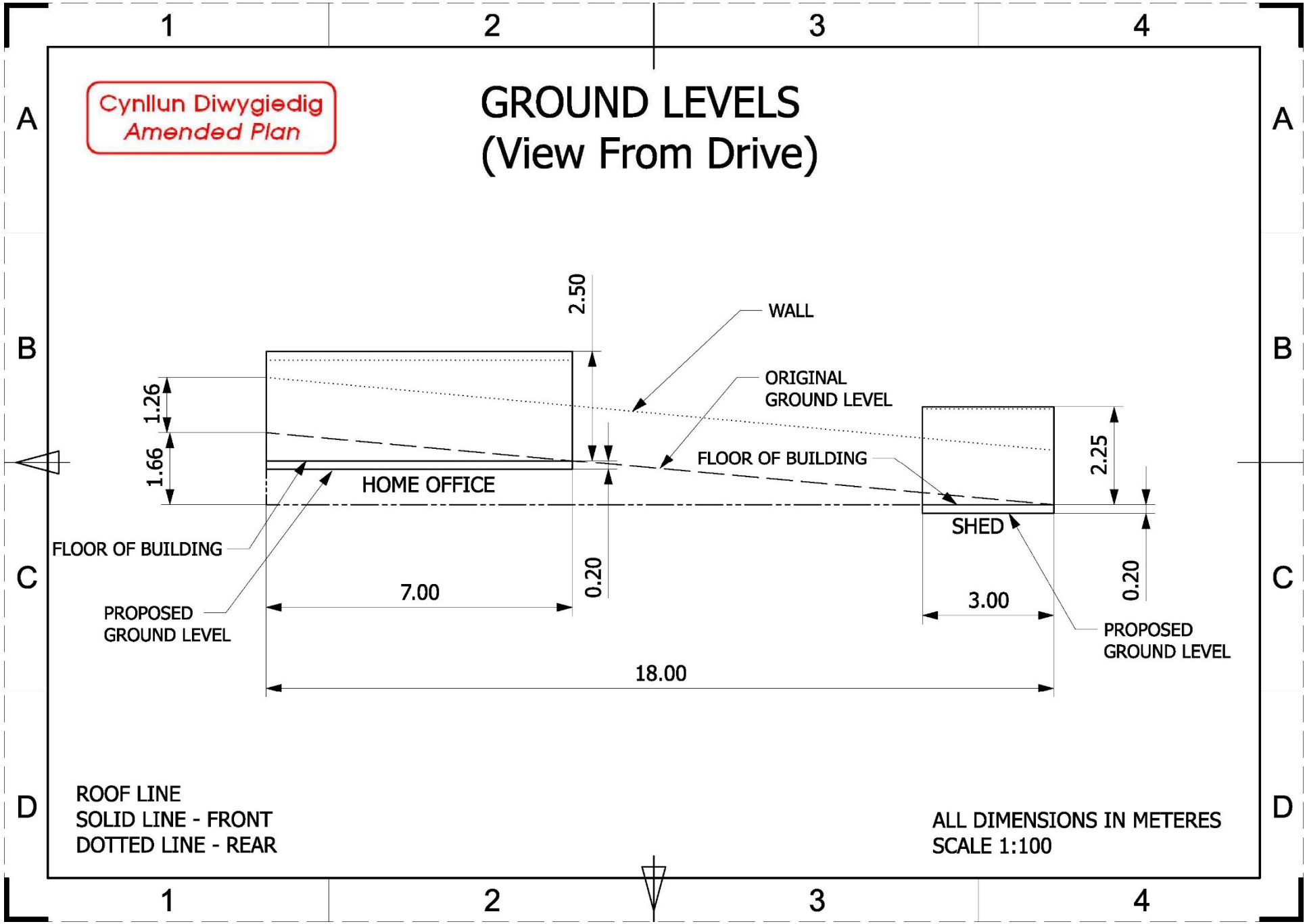
1 Trallwyn Terrace, Carmel, Caernarfon, LL54 7SB



Map area bounded by: 249251,354520 249341,354610. Produced on 14 July 2021 from the OS National Geographic Database. Reproduction in whole or part is prohibited without the prior permission of Ordnance Survey. © Crown copyright 2021. Supplied by UKPlanningMaps.com a licensed OS partner (100054135). Unique plan reference: b90cuk/661653/896565

Cynllun Diwygiedig
Amended Plan

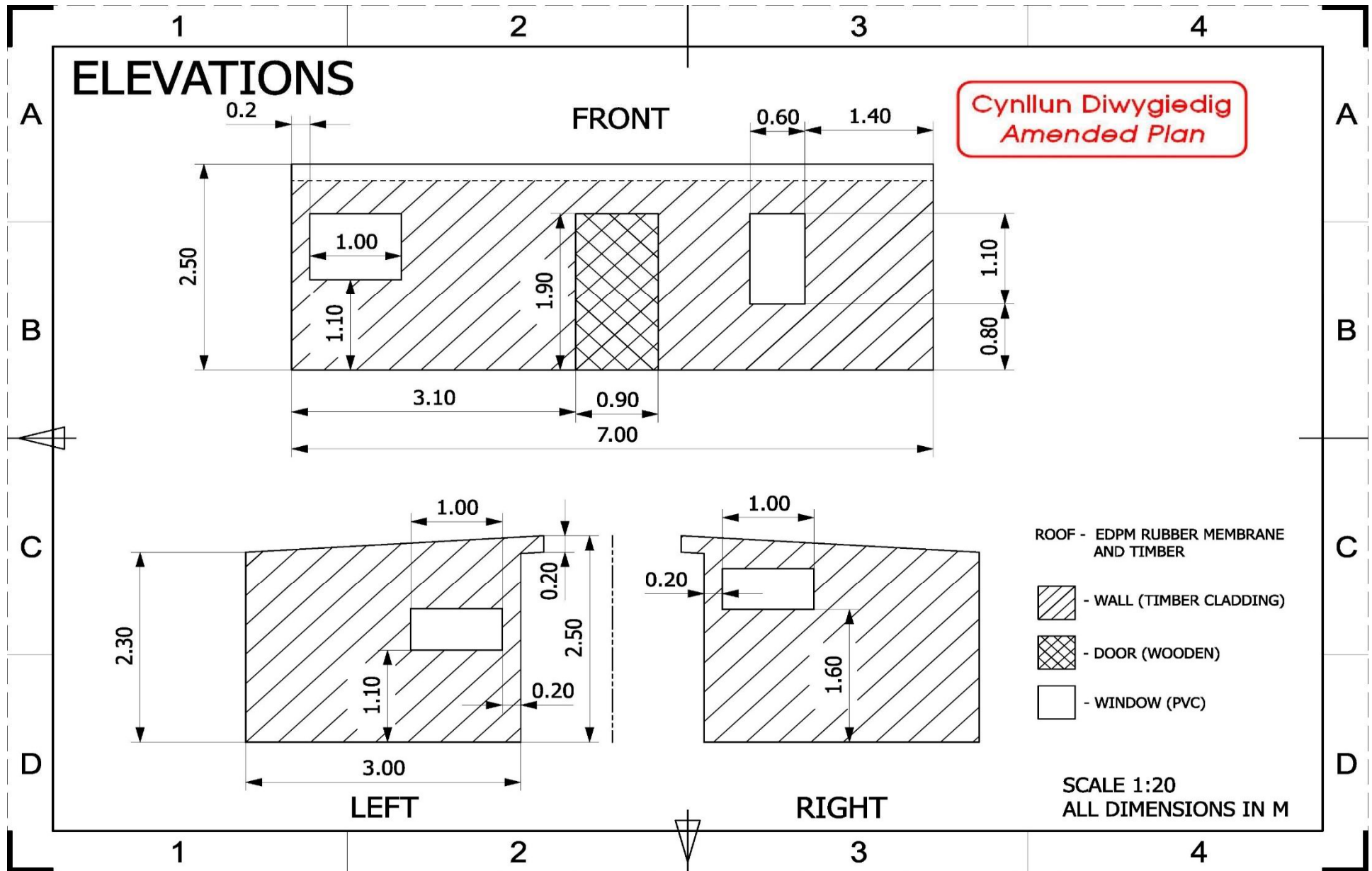
GROUND LEVELS (View From Drive)



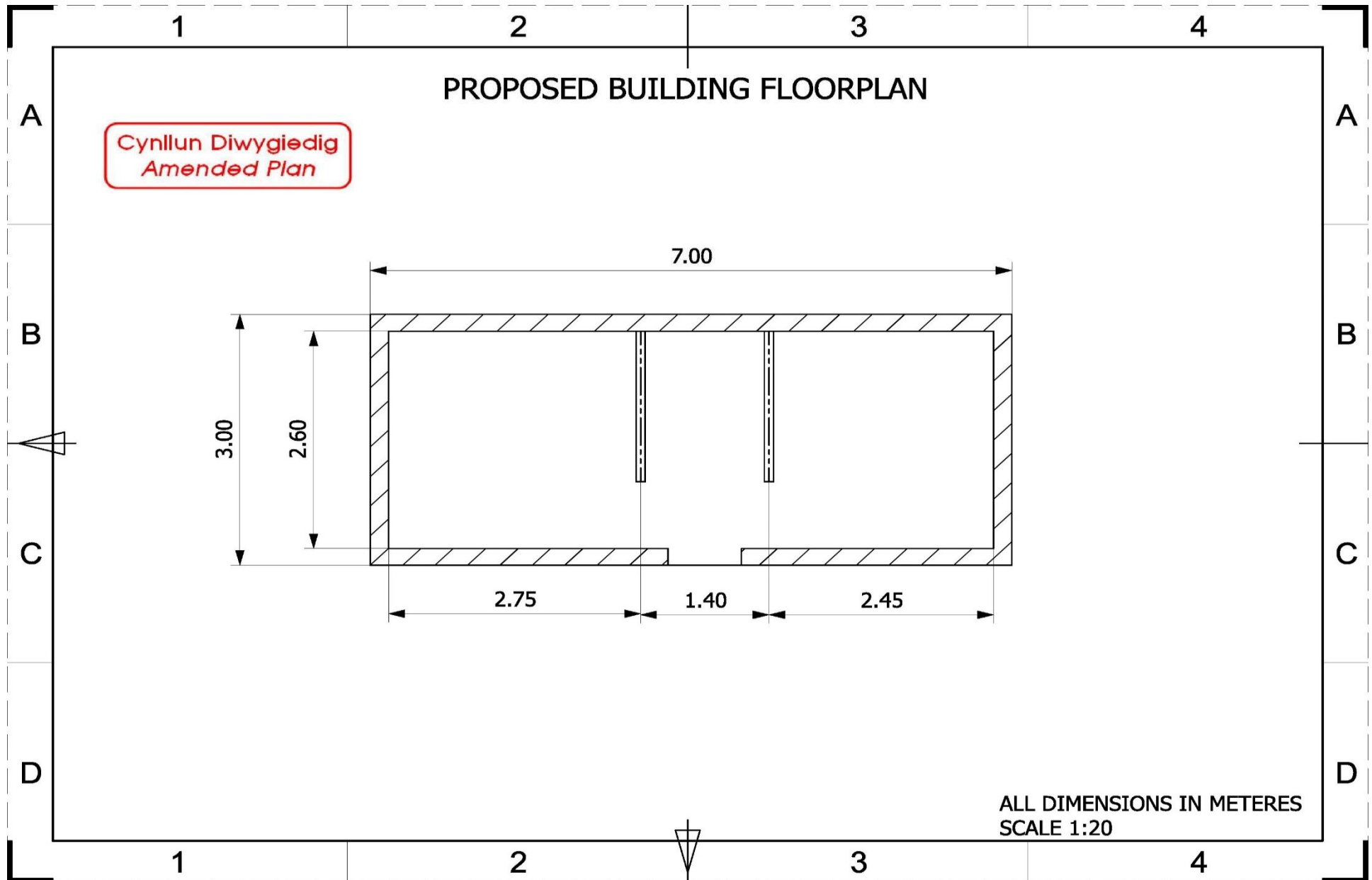
ROOF LINE
SOLID LINE - FRONT
DOTTED LINE - REAR

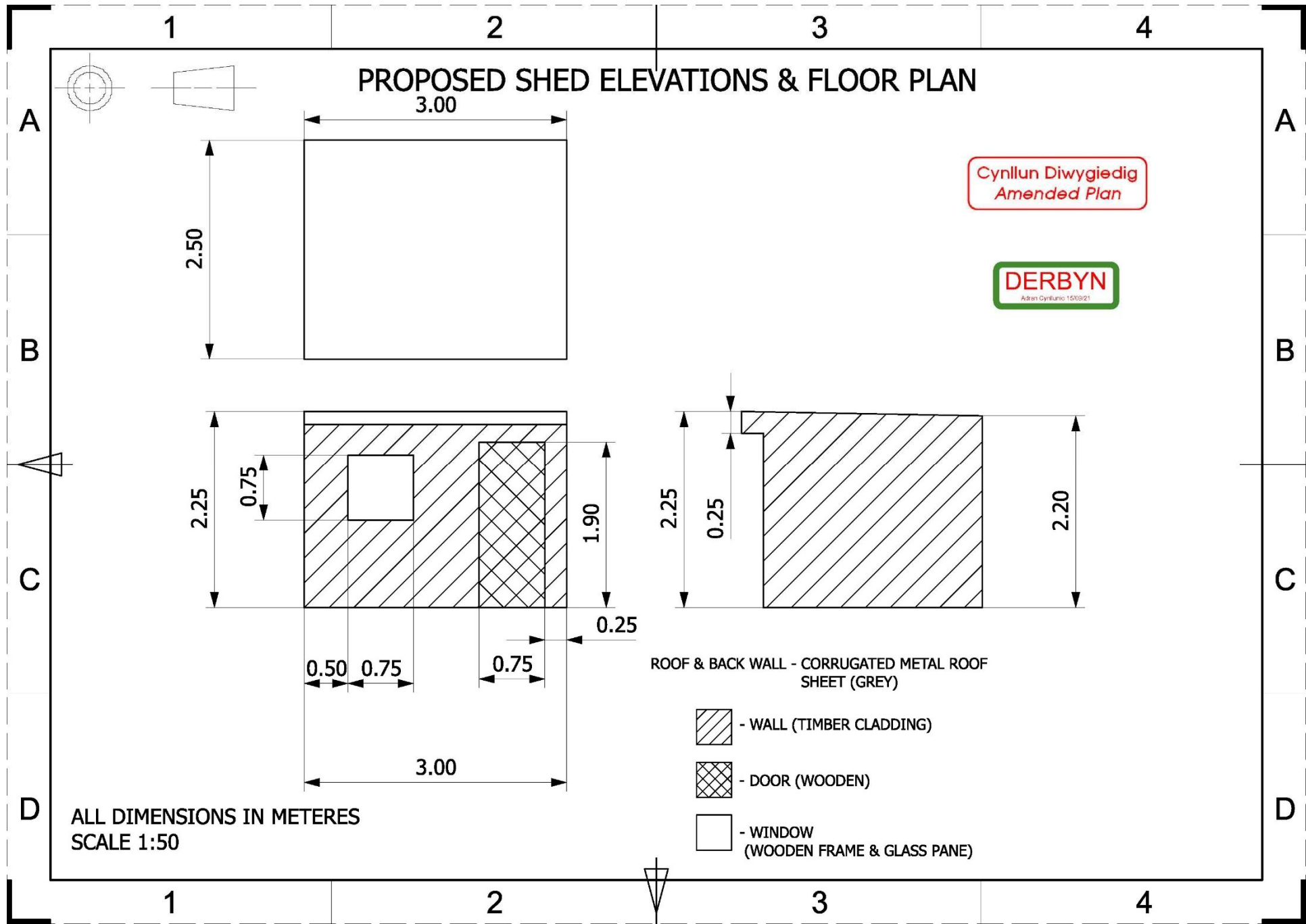
ALL DIMENSIONS IN METRES
SCALE 1:100

SWYDDFA CARTREF



SWYDDFA CARTREF





1

2

3

4

A

A

B

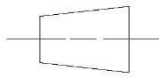
B

C

C

D

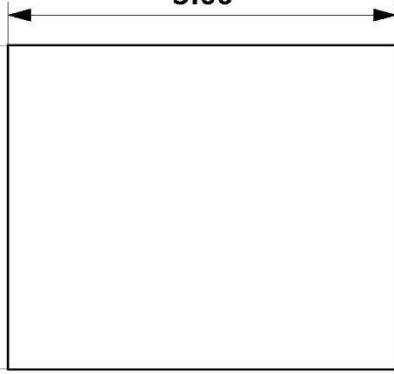
D



PROPOSED SHED ELEVATIONS & FLOOR PLAN

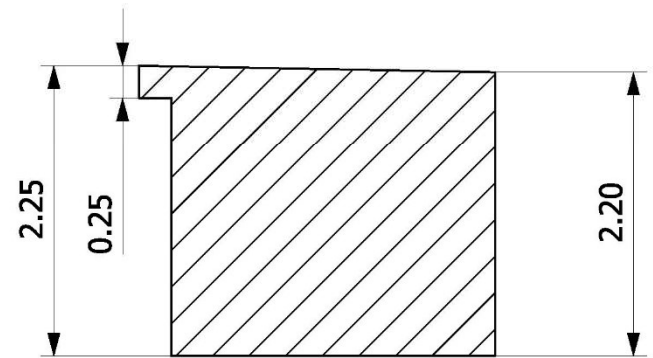
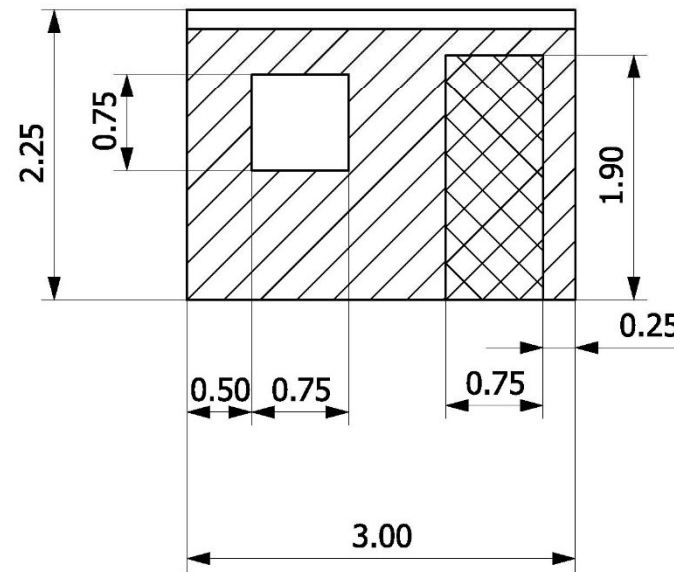
3.00

2.50



Cynllun Diwygiedig
Amended Plan

DERBYN
Adran Cynllunio 1509/21



ROOF & BACK WALL - CORRUGATED METAL ROOF SHEET (GREY)

- WALL (TIMBER CLADDING)
- DOOR (WOODEN)
- WINDOW (WOODEN FRAME & GLASS PANE)

ALL DIMENSIONS IN METRES
SCALE 1:50

1

2

3

4



















