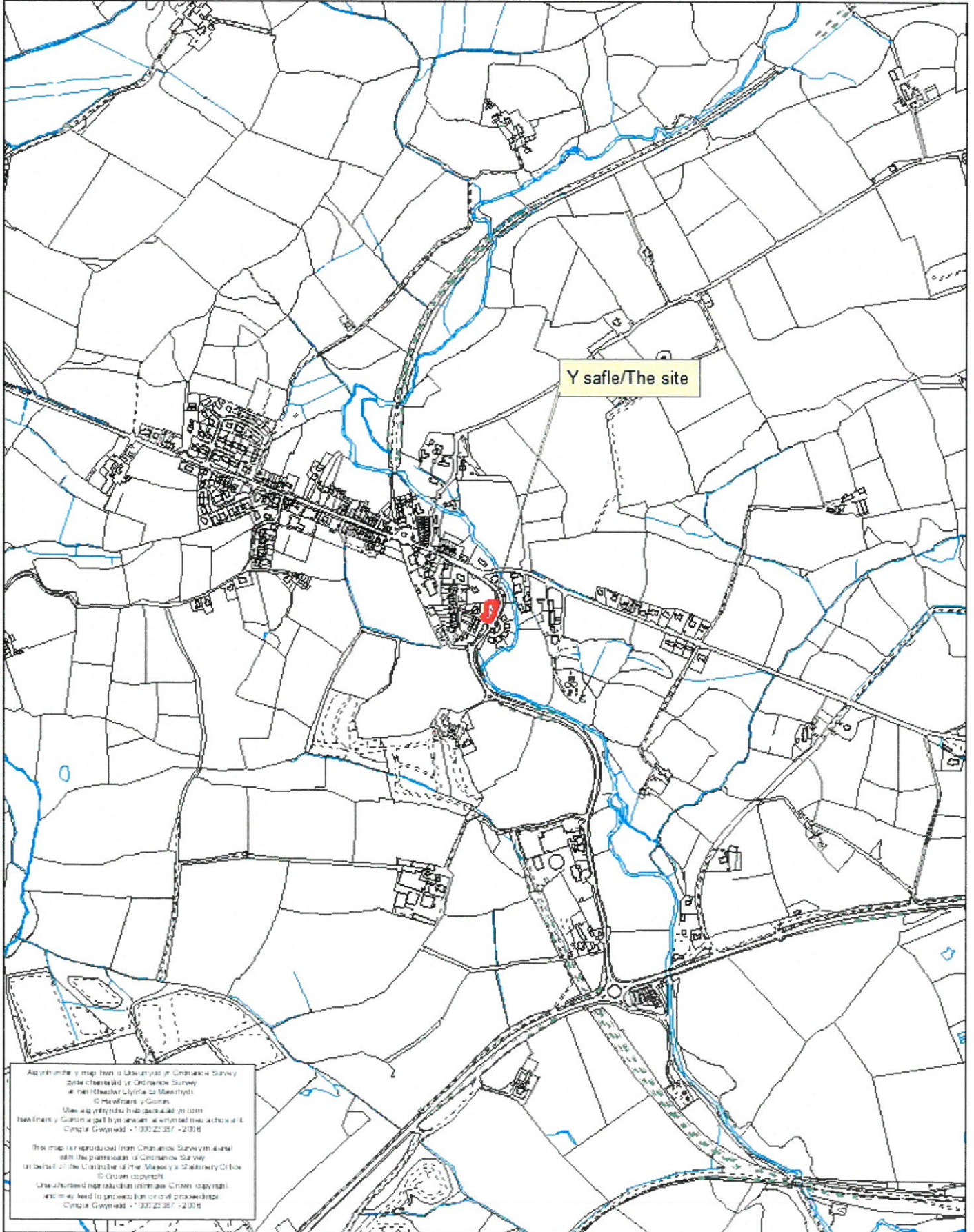




Rhif y Cais / Application Number : C17/0565/41/LL

Cynllun lleoliad ar gyfer adnabod y safle yn unig. Dim i raddfa.
Location Plan for identification purposes only. Not to scale.

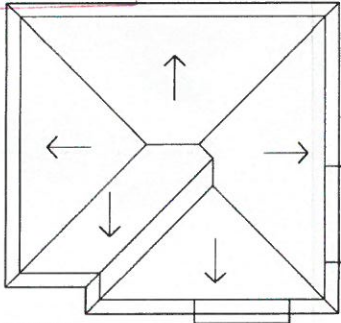




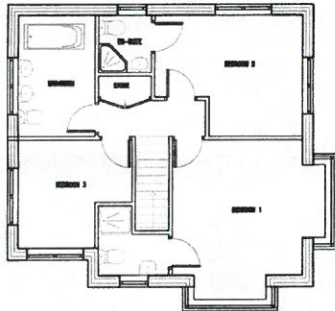
Revisions		
Title Site Location Plan		
Project Bro Sion Wyn		Drawn KD
		Sheet size A4
		Scale 1 : 1250
Project No F354	Draw No L01	Revision
<small> Drawn by: [Name] Checked by: [Name] Date: [Date] </small>		

**CYNLLUN DIWYGIEDIG
REVISED PLAN**

Derbynwyd/Received... 08.09.17
Llofnod/signature... [Signature]



Roof Plan



First Floor



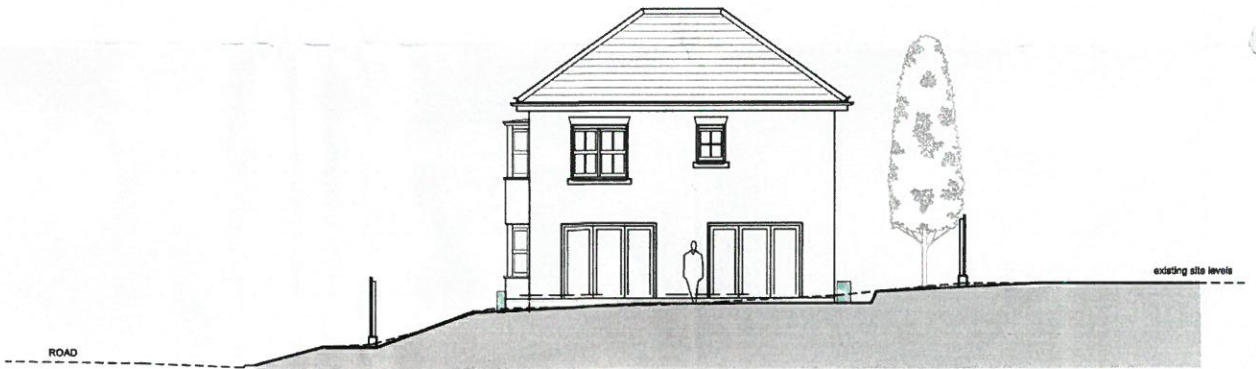
Ground Floor

Front Elevation



FRONT SITE ELEVATION A-A

Rear Elevation



REAR SITE ELEVATION B-B

CYNLLUN DIWYGIEDIG
ADRAN FACHODDIO
08.09.17
LLOFNOD SIGNATURE
ADRIAN CHURCH

A. Quarter 2 last house shown		12.07.17
Revision		
Title Proposed Site Plan		
Project Bro Sion Wyn		Drawn RD
Project No F354		Sheet No A2
Drawn By SK02	Scale 1:100	Revision A
<small> 270, 88, Afon Ffawr, 10 Blythwood Street, Llanwrda, SA71 1JN Tel: 01453 786401 </small>		